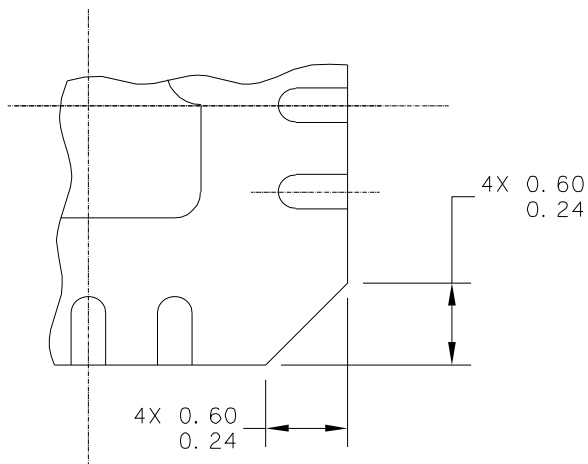
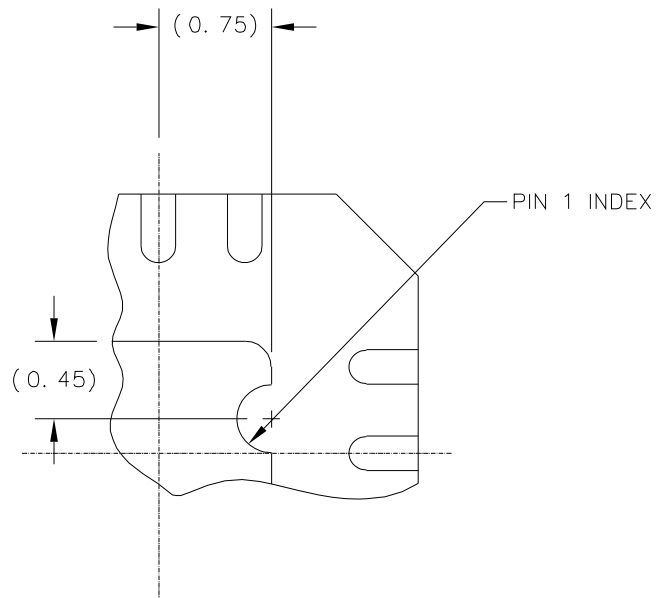


VIEW M-M

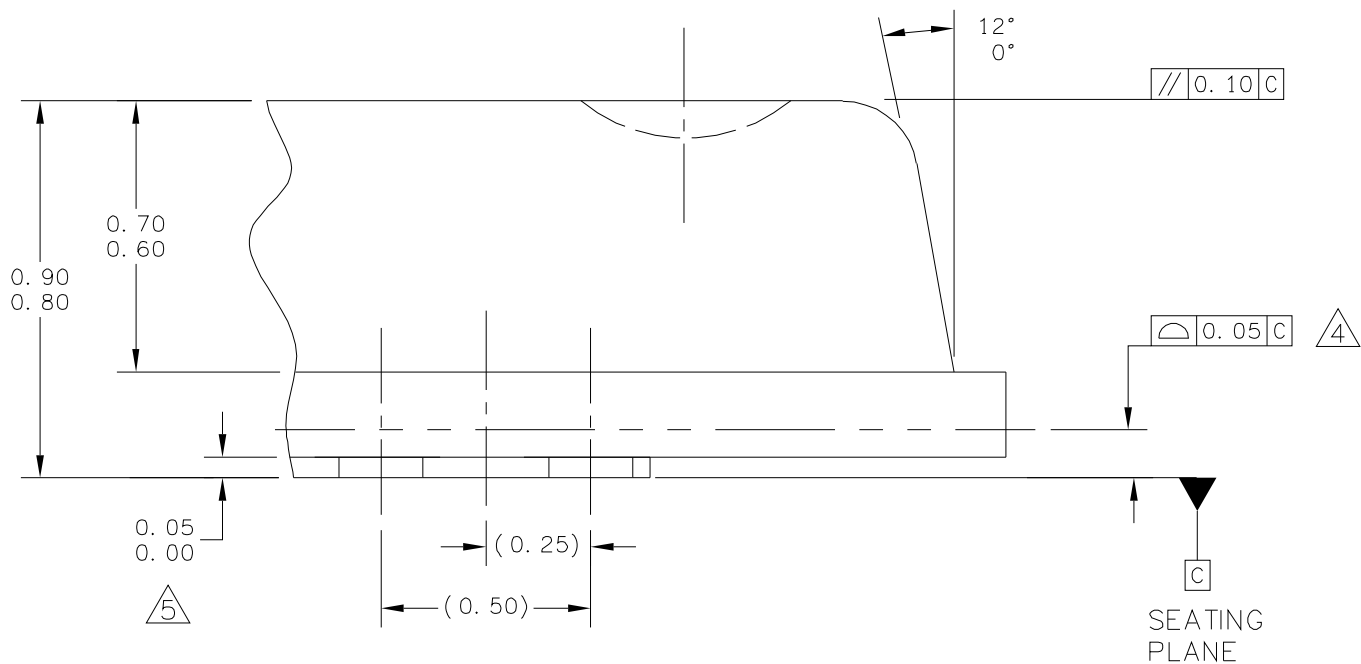
|  |                          |                            |  |
|--|--------------------------|----------------------------|--|
| © FREESCALE SEMICONDUCTOR, INC.<br>ALL RIGHTS RESERVED.  | MECHANICAL OUTLINE       | PRINT VERSION NOT TO SCALE |  |
| TITLE: THERMALLY ENHANCED QUAD<br>FLAT NON-LEADED PACKAGE (QFN)<br>12 TERMINAL, 0.5 PITCH (3X3X0.85) | DOCUMENT NO: 98ASA00227D | REV: 0                     |  |
|  | CASE NUMBER: 2131-01     | 14 MAY 2010                |  |
|  | STANDARD: NON-JEDEC      |                            |  |



DETAIL N  
CORNER CONFIGURATION



DETAIL M  
PIN 1 BACKSIDE INDEX



DETAIL G  
VIEW ROTATED 90° CW

|  |                    |                            |             |
|--|--------------------|----------------------------|-------------|
| © FREESCALE SEMICONDUCTOR, INC.<br>ALL RIGHTS RESERVED.  | MECHANICAL OUTLINE | PRINT VERSION NOT TO SCALE |             |
| TITLE: THERMALLY ENHANCED QUAD<br>FLAT NON-LEADED PACKAGE (QFN)<br>12 TERMINAL, 0.5 PITCH (3X3X0.85) |                    | DOCUMENT NO: 98ASA00227D   | REV: 0      |
|  |                    | CASE NUMBER: 2131-01       | 14 MAY 2010 |
|  |                    | STANDARD: NON-JEDEC        |             |

NOTE:

1. ALL DIMENSIONS ARE IN MILLIMETERS.

2. DIMENSIONING & TOLERANCING PER ASME Y14.5 – 2009.

3. THIS DIMENSION APPLIES TO PLATED TERMINAL AND IS MEASURED BETWEEN 0.15 AND 0.30 MM FROM TERMINAL TIP.

4. BILATERAL COPLANARITY ZONE APPLIES TO THE EXPOSED PAD AS WELL AS THE TERMINALS.

5. THIS DIMENSION APPLIED ONLY FOR TERMINALS.

|  |                          |                            |  |
|--|--------------------------|----------------------------|--|
| © FREESCALE SEMICONDUCTOR, INC.<br>ALL RIGHTS RESERVED.  | MECHANICAL OUTLINE       | PRINT VERSION NOT TO SCALE |  |
| TITLE: THERMALLY ENHANCED QUAD<br>FLAT NON-LEADED PACKAGE (QFN)<br>12 TERMINAL, 0.5 PITCH (3X3X0.85) | DOCUMENT NO: 98ASA00227D | REV: 0                     |  |
|  | CASE NUMBER: 2131-01     | 14 MAY 2010                |  |
|  | STANDARD: NON-JEDEC      |                            |  |