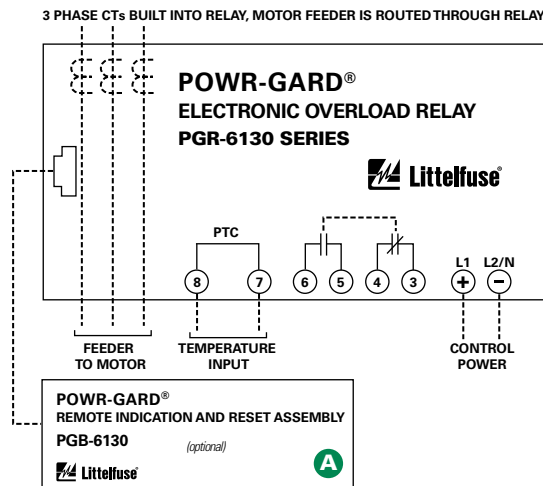


PGR-6130 SERIES

Electronic Overload Relay



Wiring Diagram



Ordering Information

CATALOG/SYSTEM NUMBER	CONTROL POWER	FULL-LOAD CURRENT
PGR-6131-24	24 Vdc	4-16.7 A
PGR-6131-120	120 Vac	4-16.7 A
PGR-6131-240	240 Vac	4-16.7 A
PGR-6132-24	24 Vdc	15-40.5 A
PGR-6132-120	120 Vac	15-40.5 A
PGR-6132-240	240 Vac	15-40.5 A
PGR-6133-24	24 Vdc	40-91 A
PGR-6133-120	120 Vac	40-91 A
PGR-6133-240	240 Vac	40-91 A

NOTE: External CTs can be used for full-load currents >91 A.

ACCESSORIES	REQUIREMENT	PAGE
PGB-6130	Optional	41

Description

The PGR-6130 Electronic Overload Relay provides protection for small three-phase motors up to 1,000 Vac. No current transformers are required for currents up to 91 A. The protective functions include overload, overtemperature, phase unbalance, phase loss, and phase sequence. The PGR-6130 Electronic Overload Relay offers dependable protection and can be used on pumps, conveyor belts, ventilation fans and other small-motor applications that require standard protection.

Features & Benefits

FEATURES	BENEFITS
No CTs Required	No current transformers required for currents up to 91 A
Adjustable Trip Settings	Adjustable overload trip class setting from 5 to 35 to match motor characteristics
Output Contacts	Form A and Form B ground-fault output contacts for operation of separate annunciation and trip circuits
Remote Indication	Allows remote cause-of-trip indication and reset
Overload	Extends motor life and prevents insulation failures and fires
Phase Loss/Phase sequence	Detects unhealthy supply conditions
Unbalance (Current)	Prevents overheating due to unbalanced phases
PTC Overtemperature	Detect high ambient or blocked ventilation and single phasing; prevents shaft/pump damage

Accessories



PGB-6130 Remote Indication and Reset Assembly

Optional remote indication of overcurrent, phase unbalance, phase loss, phase sequence and overtemperature. Remote reset included.

Specifications

Protective Functions (IEEE Device Numbers)	Overload (49, 51) Phase sequence (46) Overcurrent (51) PTC overtemperature (49) Unbalance (current) (46) Phase loss (current) (46)
Input Voltage	See ordering information
Frequency	50, 60 Hz
Dimensions	H 83 mm (3.3"); W 78 mm (3.1"); D 99 mm (3.9")
Test Button	Standard feature
Reset Button	Standard feature
Output Contacts	Isolated Form A and Form B
Approvals	UL listed
Warranty	5 years
Mounting	DIN