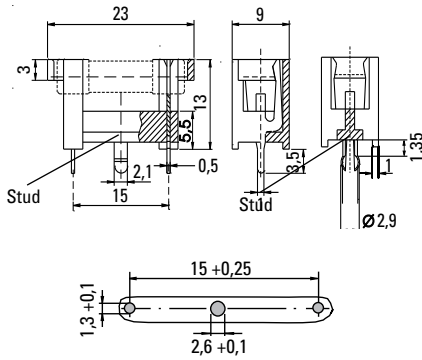


RoHS (Pb) **649 Series Holder**



**Dimensions**



PCB-Thickness: 1.6mm ± 0.14mm

**Product Specifications**

Fuse Compatibility	5 x 20 mm standard cartridge fuse		
Ordering Number	649 0000 100	649 0000 103	649 0000 3039
Packaging	Bulk: (500 pcs)	Bulk (4x3000 pcs)	Bulk (4x3000 pcs)
Protection Class & Category	PC1 (IEC 60127-6)		GWIT & GWF1 compliant per EN 60335-1
Standards Compliance	IEC 60127-6 UL 512		EN-60335-1
Materials	<b>Holder:</b> White Thermoplastic, UL94 V-0 Polybutylenterephthalat PBTP		<b>Holder:</b> Grey Thermoplastic, UL94 V-0 LATAMID 66 H2 G/25-VOCT1
	<b>Metal Parts:</b> Copper alloy solderable, tinned		
Electrical Data	<b>Rated Voltage:</b> 250V <b>Max. Current/Power:</b> 6.3A/1.6W		
Mounting	Solder pins 0.5 x 1.0mm and plastic stud		
Operating Temperature	-25°C to +70°C (consider de-rating)		
Stock Conditions	+10°C to +60°C relative humidity ≤ 75% yearly average, without dew, maximum value for 30 days - 95%		
Contact Resistance	≤ 5mΩ		
Isolation Resistance	10 <sup>12</sup> MΩ		
Solderability	235°C, 2 sec. (soldering bath; IEC 60068-2-20)		
Soldering Heat Resistance	260°C, 10 sec. (soldering bath; IEC 60068-2-20)		
Minimum Cross Section	Conducting path - 0.2mm <sup>2</sup>		
Unit Weight	1.2g		