

# CLASS T FUSEBLOCKS



**NEW!**  
Smaller Design



## Description

The new Littelfuse Class T fuse blocks offer many advantages over previous generations that are noted in the features and benefits section. Of particular value is the space savings these new blocks provide.

## Features/Benefits

- Compact design means increased space savings
- DIN Rail releasable for all 30 A-60 A fuse blocks
- Only one hand is required to release from DIN Rail (lock open lock closed)
- Molded phenolic base

- Steel reinforcing springs supplied as standard in order to provide low resistance connection and long-range reliability
- Larger blocks employ integral heat sink for maximum heat dissipation
- Universal mounting holes make for easy replacement

## Specifications

<b>Voltage Ratings:</b>	300 VAC/600 VAC
<b>Ampere Ratings:</b>	0 – 600 A
<b>Leakage Current:</b>	<0.6 mA at 600 V
<b>Flammability Rating:</b>	UL94 V-0
<b>Approvals:</b>	UL Listed (File No. E14721) CSA Certified (File No. LR73091)

## Recommended Fuses

- 300 V:** JLLN
- 600 V:** JLLS

Designed for use with miniaturized Class T fuses. Class T fuses are very fast acting, current-limiting, and approximately one-third the size of electrically comparable Class RK1 fuse.

## Web Resources

Sample requests, downloadable CAD drawings and other technical information: [www.littelfuse.com/lft](http://www.littelfuse.com/lft)  
[www.littelfuse.com/fuseblocks](http://www.littelfuse.com/fuseblocks)

## Ordering Information (Class T 300 V)

AMP RATING	CATALOG/SYSTEM NUMBER							TORQUE	WIRE RANGE	WIRE TYPE	BASE TEMP RATING	SNAP TO RELEASE
	BASE SYSTEM NUMBER	POLES			TERMINAL SUFFIX							
		1	2	3	BOX LUG	PRESSURE PLATE	SCREW					
30	LFT30030	1	2	3	C	—	—	5.6 N-m (50 in-lbs) 2.8 N-m (25 in-lbs)	2-4 AWG 6-14 AWG	CU-AL Solid/Stranded	125°C	•
60	LFT30060	1	2	3	C	—	—	5.6 N-m (50 in-lbs) 2.8 N-m (25 in-lbs) 13.6 N-m (120 in-lbs)	2-4 AWG 6-14 AWG 2/0-6 AWG			
100	LFT30100	1	—	3	CS	—	—	4.5 N-m (40 in-lbs) 4.0 N-m (35 in-lbs)	8 AWG 10-14 AWG	CU-AL Solid/Stranded	130°C	—
200	LFT30200	1	—	3	CS	—	—	31.1 N-m (275in-lb)	250 kcmil-6			
400	LFT30400	1	—	3	CS	—	—	(2) 31.1 N-m (275in-lb)	250 kcmil-6			
600	LFT30600	1	—	3	CS	—	—	(2) 42.4 N-m (375in-lb)	500 kcmil-6			

## Ordering Information (Class T 600 V)

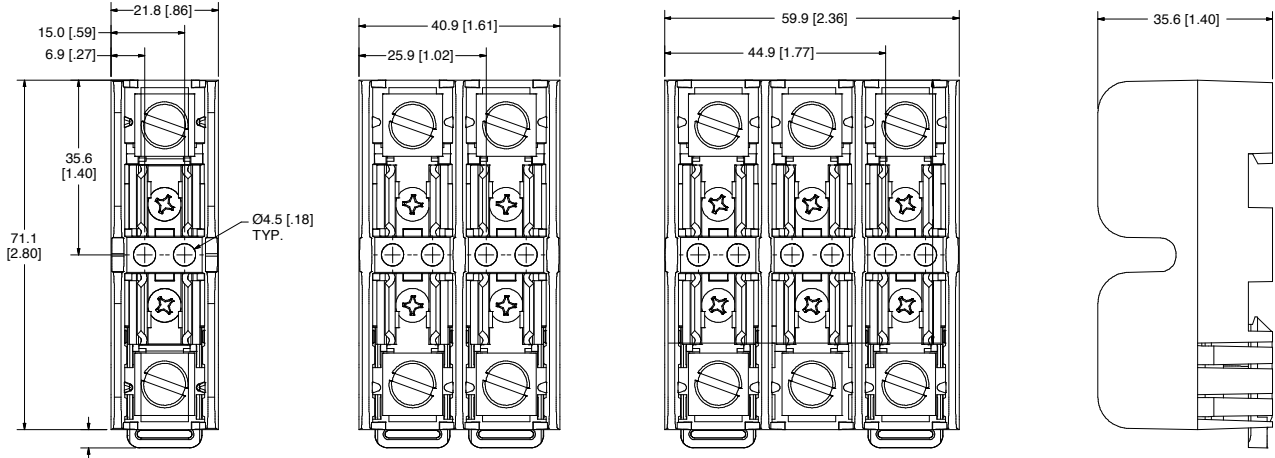
AMP RATING	CATALOG/SYSTEM NUMBER							TORQUE	WIRE RANGE	WIRE TYPE	BASE TEMP RATING	SNAP TO RELEASE
	BASE SYSTEM NUMBER	POLES			TERMINAL SUFFIX							
		1	2	3	BOX LUG	PRESSURE PLATE	SCREW					
30	LFT60030	1	2	3	C	P	S	5.6 N-m (50 in-lbs) 2.8 N-m (25 in-lbs)	2-4 AWG 6-14 AWG	*see note CU-AL Solid/Stranded	125°C	•
60	LFT60060	1	2	3	C	—	—	5.6 N-m (50 in-lbs) 2.8 N-m (25 in-lbs) 13.6 N-m (120 in-lbs)	2-4 AWG 6-14 AWG 2/0-6 AWG			
100	LFT60100	1	—	3	CS	—	—	4.0 N-m (40 in-lbs) 4.0 N-m (35 in-lbs)	8 AWG 10-14 AWG	CU-AL Solid/Stranded	130°C	—
200	LFT60200	1	—	3	CS	—	—	31.1 N-m (275in-lb)	250 kcmil-6			
400	LFT60400	1	—	3	CS	—	—	(2) 31.1 N-m (275in-lb)	250 kcmil-6			
600	LFT60600	1	—	3	CS	—	—	(2) 42.4 N-m (375in-lb)	500 kcmil-6			

\*Wire Type for Pressure Plate and Screw Terminal is CU only

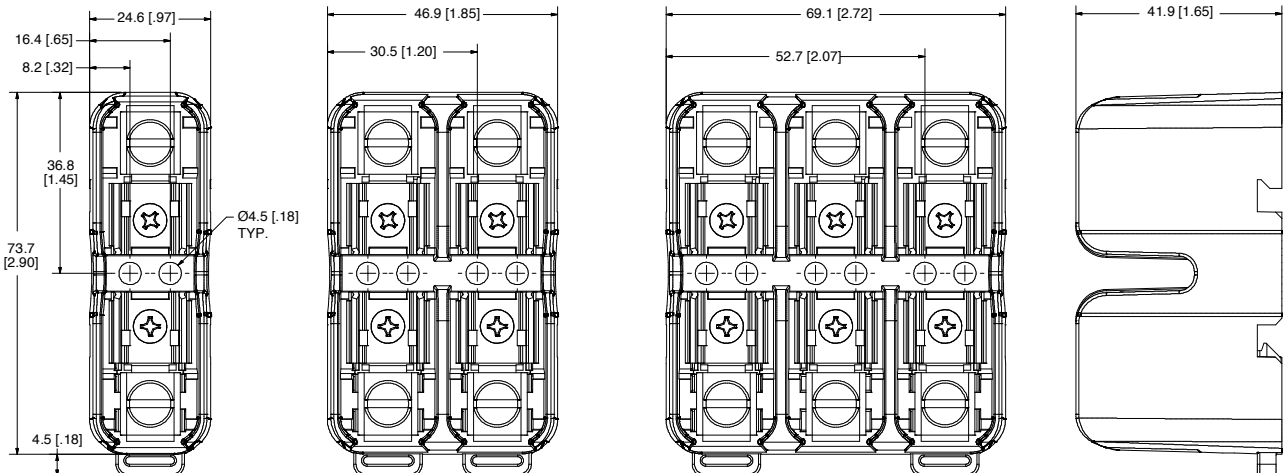
# CLASS T FUSEBLOCKS DIMENSIONS

## Dimensions in mm (inches)

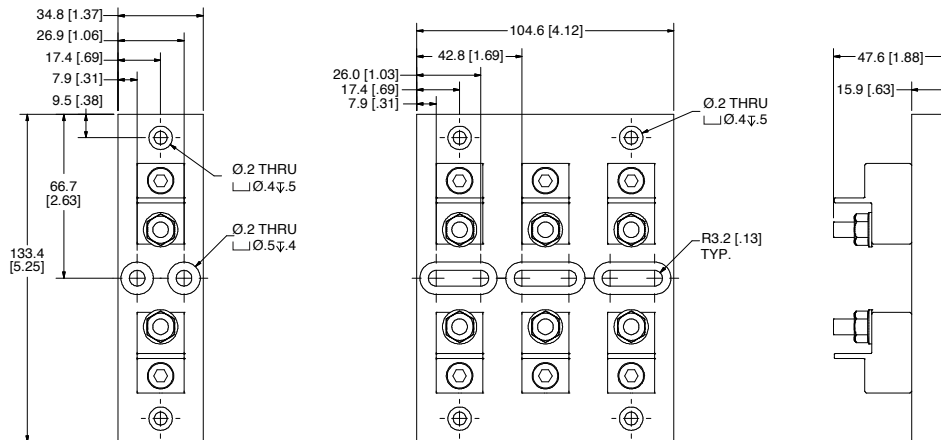
### 300 V 30 A



### 300 V 60 A



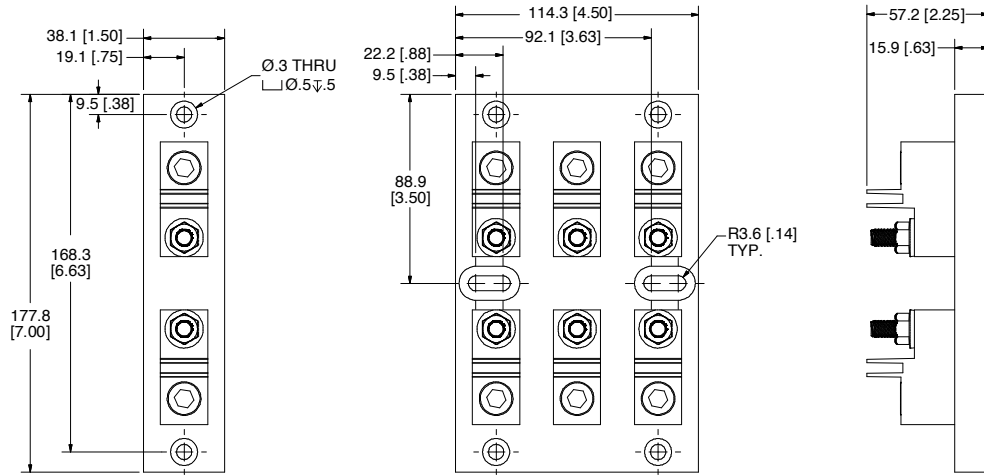
### 300 V 100 A



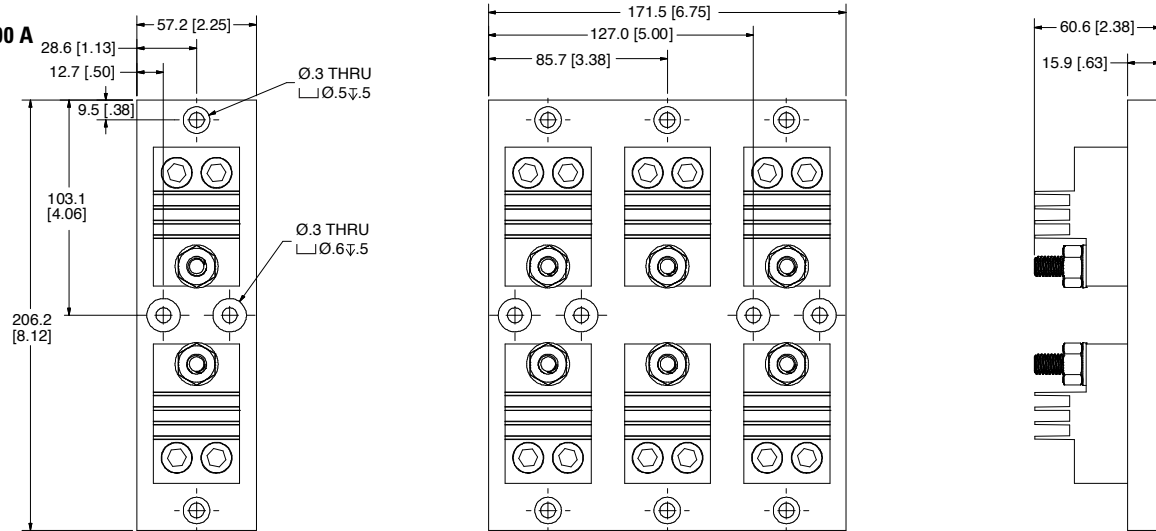
# CLASS T FUSEBLOCKS DIMENSIONS

## Dimensions in mm (inches)

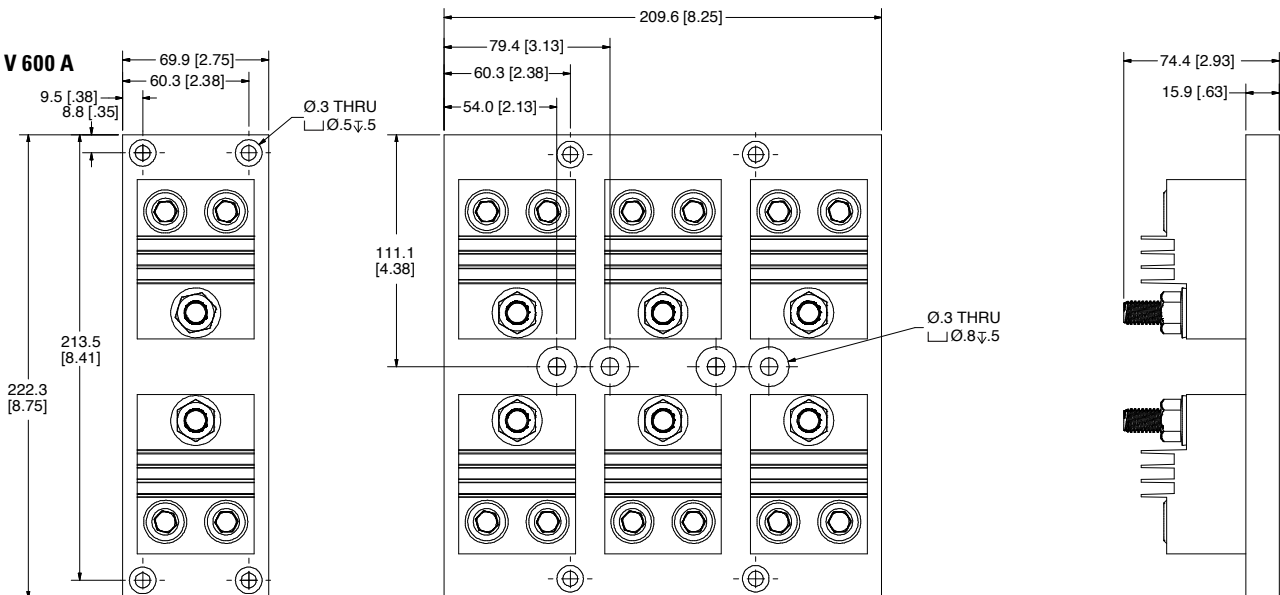
### 300 V 200 A



### 300 V 400 A



### 300 V 600 A



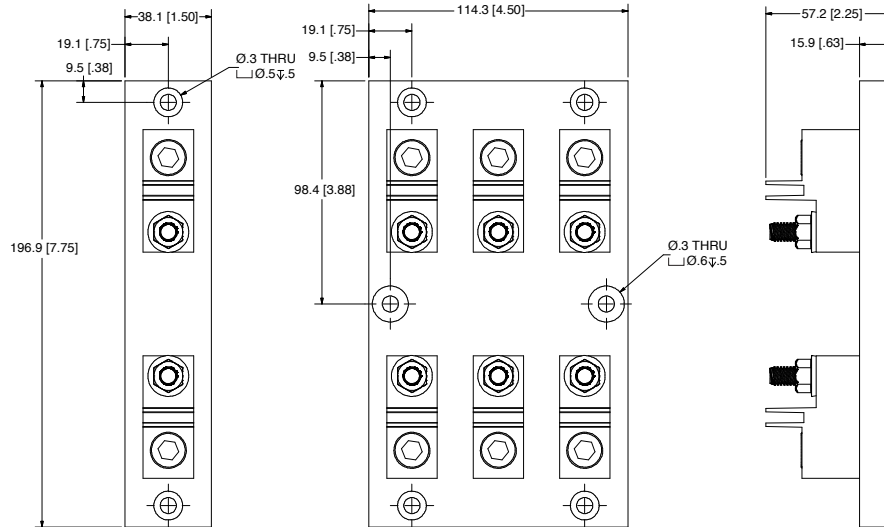
Available at [www.littelfuse.com/fuseblocks](http://www.littelfuse.com/fuseblocks)



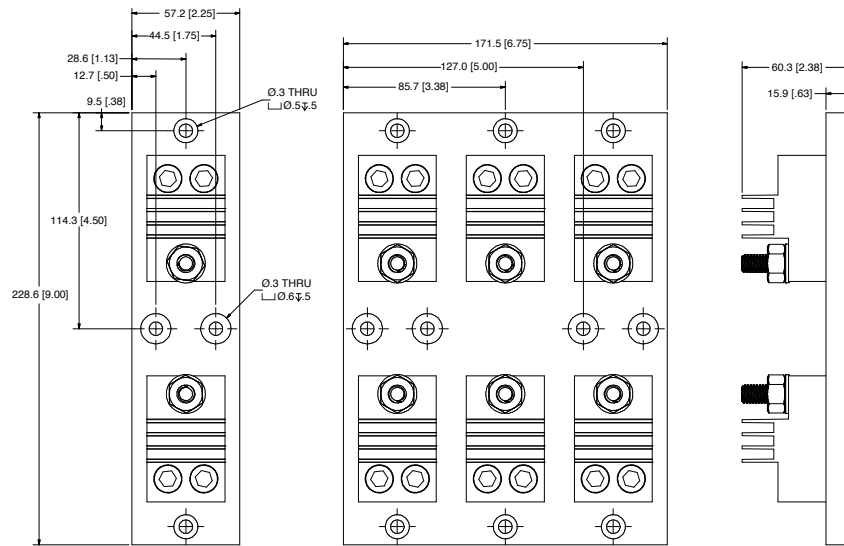
# CLASS T FUSEBLOCKS DIMENSIONS

## Dimensions in mm (inches)

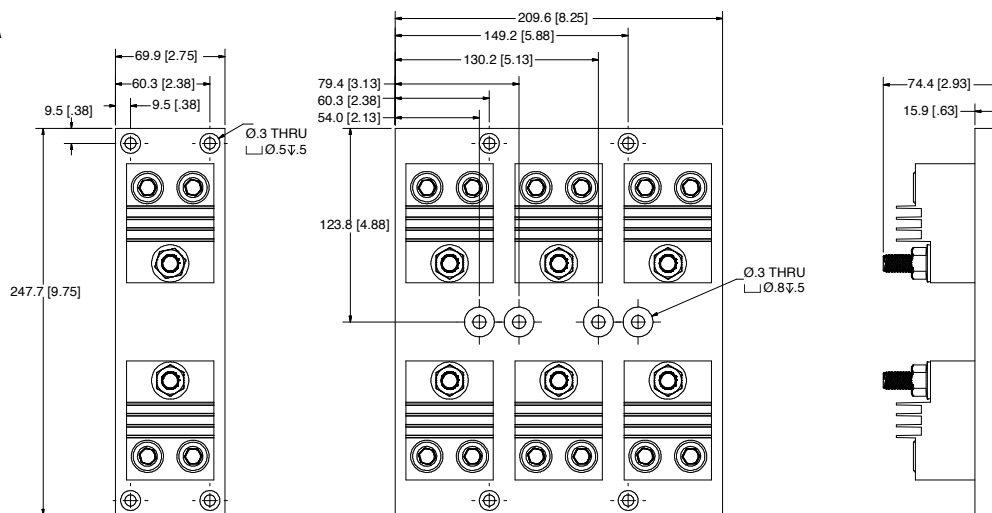
### 600 V 200 A



### 600 V 400 A



### 600 V 600 A



Also available at [www.littelfuse.com/fuseblocks](http://www.littelfuse.com/fuseblocks)