

LTFD Series Telecommunications Disconnect Switch

145 VDC, 60 VDC • 70 – 1200 Amperes



Littelfuse compact LTFD Series holders are designed for use as a combination fuseholder and disconnect switch for telecommunications equipment. The rugged unit utilizes a pull-out fuse carrier to safely disconnect power and provide easy fuse replacement.

Features

- Innovative pullout design of the 1200A switch eliminates the need for tools to replace the fuse
- Thermoplastic housing material
- Alarm signaling circuit

Specifications

Voltage Rating: 145 VDC for 70 – 600 amperes
60 VDC for 800 – 1200 amperes

Ampere Range: 70 – 1200 amperes

Approvals: UL Recognized (E122674)

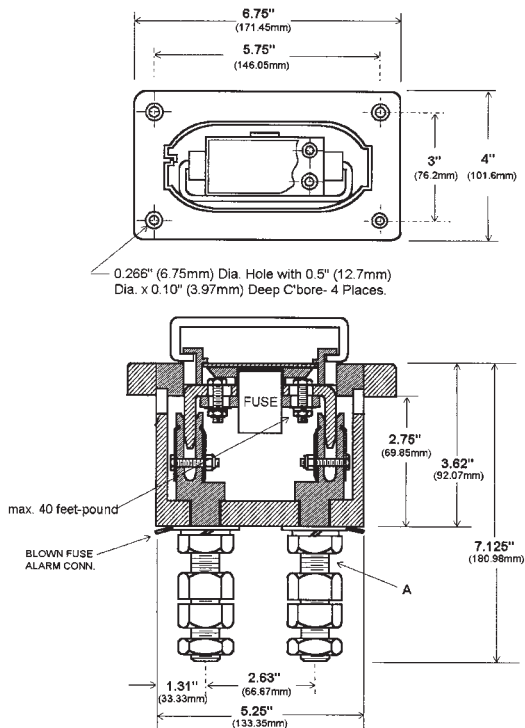
Recommended fuses

L17T Series fuses

Ordering Information

Catalog Number	Stud Size (A)	Amperes	Contact Nut Max. Torque
LTFD6001-00	3/4 – 16 x 3.5 in.	70 – 600	100 feet-pound
LTFD6001-01	7/8 – 14 x 3.5 in.	70 – 800	120 feet-pound
LTFD1200-01	1.12 – 12 x 4 in	900 – 1200	120 feet-pound
LTFD1200-01A	1.12 – 12 x 4 in	900 – 1200	120 feet-pound

LTFD 6001 Series (70–800 Amperes)



LTFD 1200A (900–1200 Amperes)

