

CLASS H/K5 AND R SERIES FUSEBLOCKS



- Clip designs maximize electrical contact and minimize heat rise
- Standard reinforcing clips on all Class R fuseblocks and Class H fuseblocks rated 100 A and higher
- RoHS compliant, Pb free

Specifications

Voltage Rating:	250 V, 600 V
Ampere Ratings:	0 – 600 A
Leakage Current:	<0.6 mA at 600 V
Flammability Rating:	UL94 V-0
Approvals:	UL Listed (File No. E14721) CSA Certified (File No. LR73091)

Description

The new Littelfuse Class H and R blocks offer many advantages over previous generations such as indication, snap-to-release DIN Rail mounting, and universal mounting holes. Class H and Class R fuseblocks are dimensionally the same, but Class R blocks incorporate a rejection feature, which only allows Class R fuses to be inserted.

This new line of fuseblocks has replaced the previous LH and LR Series blocks.

Features/Benefits

- Indication offered on most 250 V and 600 V versions
- One hand release from DIN Rail (snap-to-release) for all non-knife blade style fuses
- Universal mounting holes for easy replacement

Recommended Fuses

Class H/K5 Blocks – 250 V	Class H/K5 Blocks – 600 V
NLN	NLS
RLN	RLS

Class R Blocks – 250 V	Class R Blocks – 600 V
FLNR/FLNR_ID	FLSR/FLSR_ID
KLNR	KLSR
LLNRK	LLSRK/LLSRK_ID
TLN	IDSR

Web Resources

Sample requests, downloadable CAD drawings and other technical information:

- <http://www.littelfuse.com/fuseblocks>
- <http://www.littelfuse.com/lfh>
- <http://www.littelfuse.com/lfr>

Ordering Information (Class H 250 V)

AMP RATING	POLES	CATALOG/SYSTEM NUMBER				TORQUE	TERMINAL	WIRE RANGE	WIRE TYPE	BASE TEMP RATING	SNAP TO RELEASE	INDICATION	
		BASE PART NUMBER	BOX LUG	SUFFIX	SCREW								
30	1	LFH250301	C	P	S	2.8 N-m (25 in-lbs)	C	6-14 AWG	CU Only	Solid/ Stranded	125°C	•	—
	2	LFH250302	C	P	S		P	10-14 AWG					
	3	LFH250303	C	P	S		S	10-22 AWG					
60	1	LFH250601	CID	—	—	5.6 N-m (50 in-lbs)	2-4 AWG	CU-AL	Solid/ Stranded	125°C	•	•	
	2	LFH250602	CID	—	—	2.8 N-m (25 in-lbs)							6-14 AWG
	3	LFH250603	CID	—	—								
100	1	LFH251001	CID	—	—	13.6 N-m (120 in-lbs)	2/0-6 AWG	CU-AL	Solid/ Stranded	130°C	—	•	
	3	LFH251003	CID	—	—	4.5 N-m (40 in-lbs)	8 AWG						
						4.0 N-m (35 in-lbs)	10-14 AWG						
200	1	LFH252001	C	—	—	31.1 N-m (275 in-lbs)	250 kcmil-6	CU-AL	Solid/ Stranded	130°C	—	—	
	3	LFH252003	C	—	—								
400	1	LFH254001	C	—	—	31.1 N-m (275 in-lbs)	(2) 350 kcmil-1/0	CU-AL	Solid/ Stranded	130°C	—	—	
	3	LFH254003	C	—	—								
600	1	LFH256001	C	—	—	42.4 N-m (375 in-lbs)	(2) 500 kcmil-4	CU-AL	Solid/ Stranded	130°C	—	—	
	3	LFH256003	C	—	—								

Note: Reinforcing springs are standard on all Class H fuseblocks.

CLASS H/K5 AND R SERIES FUSEBLOCKS

Class H 600 V

AMP RATING	POLES	CATALOG/SYSTEM NUMBER				TORQUE	TERMINAL	WIRE RANGE	WIRE TYPE	BASE TEMP RATING	SNAP TO RELEASE	INDICATION
		BASE SYSTEM NUMBER	SUFFIX									
			BOX LUG	PRESSURE PLATE	SCREW							
30	1	LFH600301	CID	PID	SID	2.8 N-m (25 in-lbs)	C	6-14 AWG	CU Only	Solid/Stranded	130°C	•
	2	LFH600302	CID	PID	SID		P	10-14 AWG				
	3	LFH600303	CID	PID	SID		S	10-22 AWG				
60	1	LFH600601	CID	—	—	5.6 N-m (50 in-lbs)	2-4 AWG		CU-AL	Solid/Stranded	130°C	•
	2	LFH600602	CID	—	—		2.8 N-m (25 in-lbs)	6-14AWG				
	3	LFH600603	CID	—	—	13.6 N-m (120 in-lbs)		2/0-6AWG				
100	1	LFH601001	CID	—	—	4.5 N-m (40 in-lbs)	8 AWG		CU-AL	Solid/Stranded	130°C	—
	3	LFH601003	CID	—	—		4.0 N-m (35 in-lbs)	10-14 AWG				
	200	1	LFH602001	C	—	—		31.1 N-m (275 in-lbs)				
3	LFH602003	C	—	—								
400	1	LFH604001	C	—	—	31.1 N-m (275 in-lbs)	(2) 350 kcmil-1/0		CU-AL	Solid/Stranded	130°C	—
	3	LFH604003	C	—	—							
600	1	LFH606001	C	—	—	42.4 N-m (375 in-lbs)	(2) 500 kcmil-4		CU-AL	Solid/Stranded	130°C	—
	3	LFH606003	C	—	—							

Note: Reinforcing springs standard on all Class H fuseblocks.

Class R 250 V

AMP RATING	POLES	CATALOG/SYSTEM NUMBER				TORQUE	TERMINAL	WIRE RANGE	WIRE TYPE	BASE TEMP RATING	SNAP TO RELEASE	INDICATION
		BASE SYSTEM NUMBER	SUFFIX									
			BOX LUG	PRESSURE PLATE	SCREW							
30	1	LFR250301	C	P	S	2.8 N-m (25 in-lbs)	C	6-14 AWG	CU Only	Solid/Stranded	125°C	•
	2	LFR250302	C	P	S		P	10-14 AWG				
	3	LFR250303	C	P	S		S	10-22 AWG				
60	1	LFR250601	CID	—	—	5.6 N-m (50 in-lbs)	2-4 AWG		CU-AL	Solid/Stranded	125°C	•
	2	LFR250602	CID	—	—		2.8 N-m (25 in-lbs)	6-14 AWG				
	3	LFR250603	CID	—	—	13.6 N-m (120 in-lbs)		2/0-6 AWG				
100	1	LFR251001	CID	—	—	4.5 N-m (40 in-lbs)	8 AWG		CU-AL	Solid/Stranded	130°C	—
	3	LFR251003	CID	—	—		4.0 N-m (35 in-lbs)	10-14 AWG				
	200	1	LFR252001	C	—	—		31.1 N-m (275 in-lbs)				
3	LFR252003	C	—	—								
400	1	LFR254001	C	—	—	31.1 N-m (275 in-lbs)	(2) 350 kcmil-1/0		CU-AL	Solid/Stranded	130°C	—
	3	LFR254003	C	—	—							
600	1	LFR256001	C	—	—	42.4 N-m (375 in-lbs)	(2) 500 kcmil-4		CU-AL	Solid/Stranded	130°C	—
	3	LFR256003	C	—	—							

Note: Reinforcing springs standard on all Class R fuseblocks.

Class R 600 V

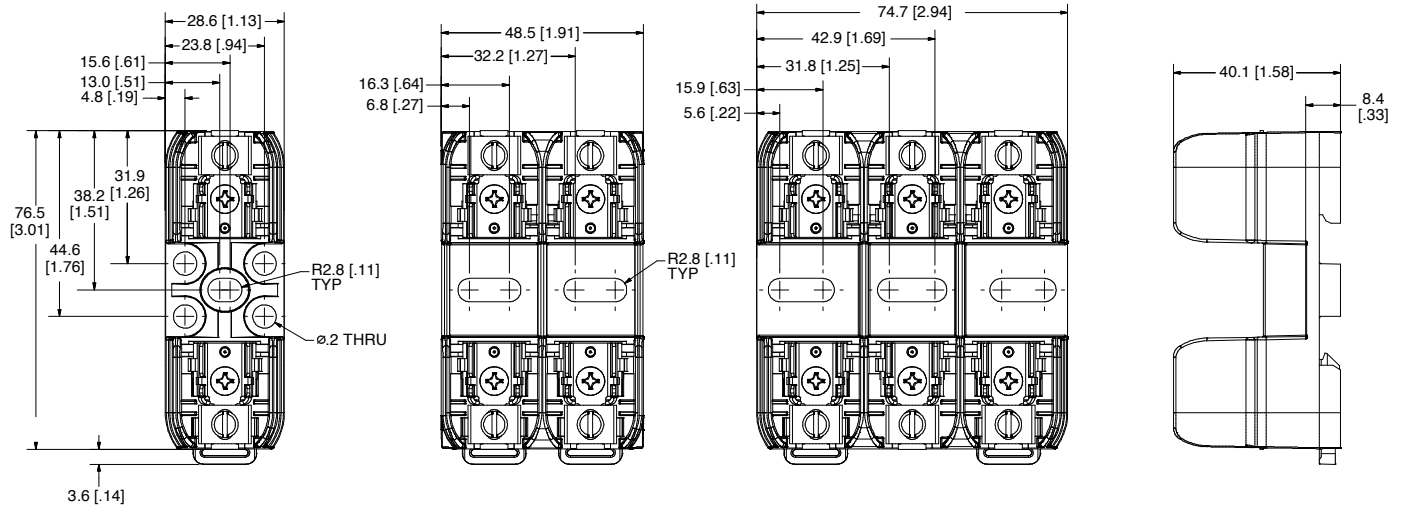
AMP RATING	POLES	CATALOG/SYSTEM NUMBER				TORQUE	TERMINAL	WIRE RANGE	WIRE TYPE	BASE TEMP RATING	SNAP TO RELEASE	INDICATION
		BASE SYSTEM NUMBER	SUFFIX									
			BOX LUG	PRESSURE PLATE	SCREW							
30	1	LFR600301	CID	PID	SID	2.8 N-m (25 in-lbs)	C	6-14 AWG	CU Only	Solid/Stranded	130°C	•
	2	LFR600302	CID	PID	SID		P	10-14 AWG				
	3	LFR600303	CID	PID	SID		S	10-22 AWG				
60	1	LFR600601	CID	—	—	5.6 N-m (50 in-lbs)	2-4 AWG		CU-AL	Solid/Stranded	130°C	•
	2	LFR600602	CID	—	—		2.8 N-m (25 in-lbs)	6-14 AWG				
	3	LFR600603	CID	—	—	13.6 N-m (120 in-lbs)		2/0-6 AWG				
100	1	LFR601001	CID	—	—	4.5 N-m (40 in-lbs)	8 AWG		CU-AL	Solid/Stranded	130°C	—
	3	LFR601003	CID	—	—		4.0 N-m (35 in-lbs)	10-14 AWG				
	200	1	LFR602001	C	—	—		31.1 N-m (275 in-lbs)				
3	LFR602003	C	—	—								
400	1	LFR604001	C	—	—	31.1 N-m (275 in-lbs)	(2) 350 kcmil-1/0		CU-AL	Solid/Stranded	130°C	—
	3	LFR604003	C	—	—							
600	1	LFR606001	C	—	—	42.4 N-m (375 in-lbs)	(2) 500 kcmil-4		CU-AL	Solid/Stranded	130°C	—
	3	LFR606003	C	—	—							

Note: Reinforcing springs standard on all Class R fuseblocks.

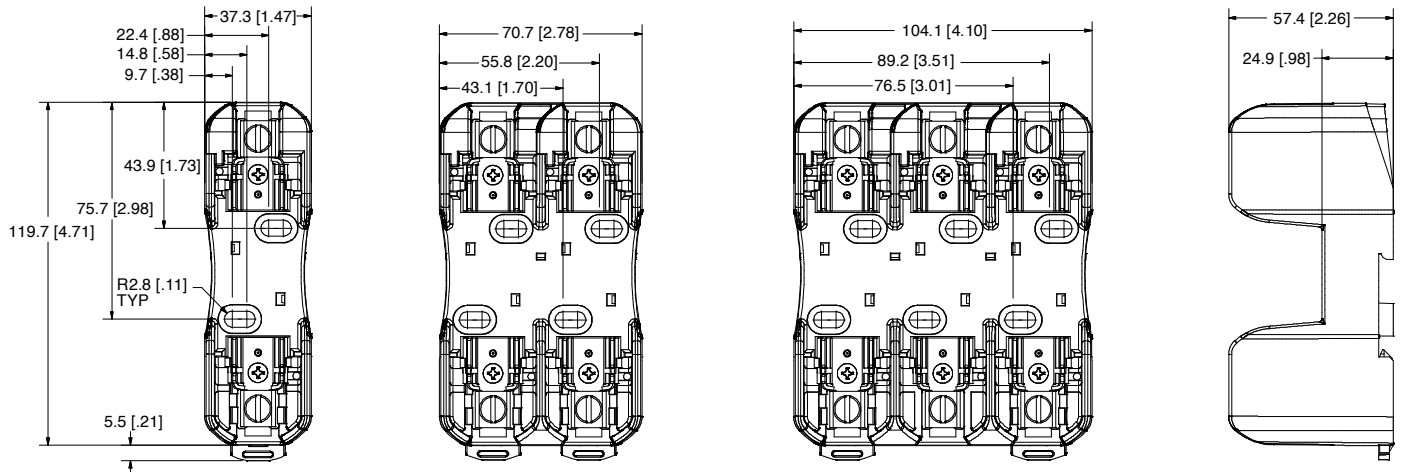
CLASS H/K5 AND R SERIES FUSEBLOCKS

Dimensions in mm (inches)

250 V 30 A



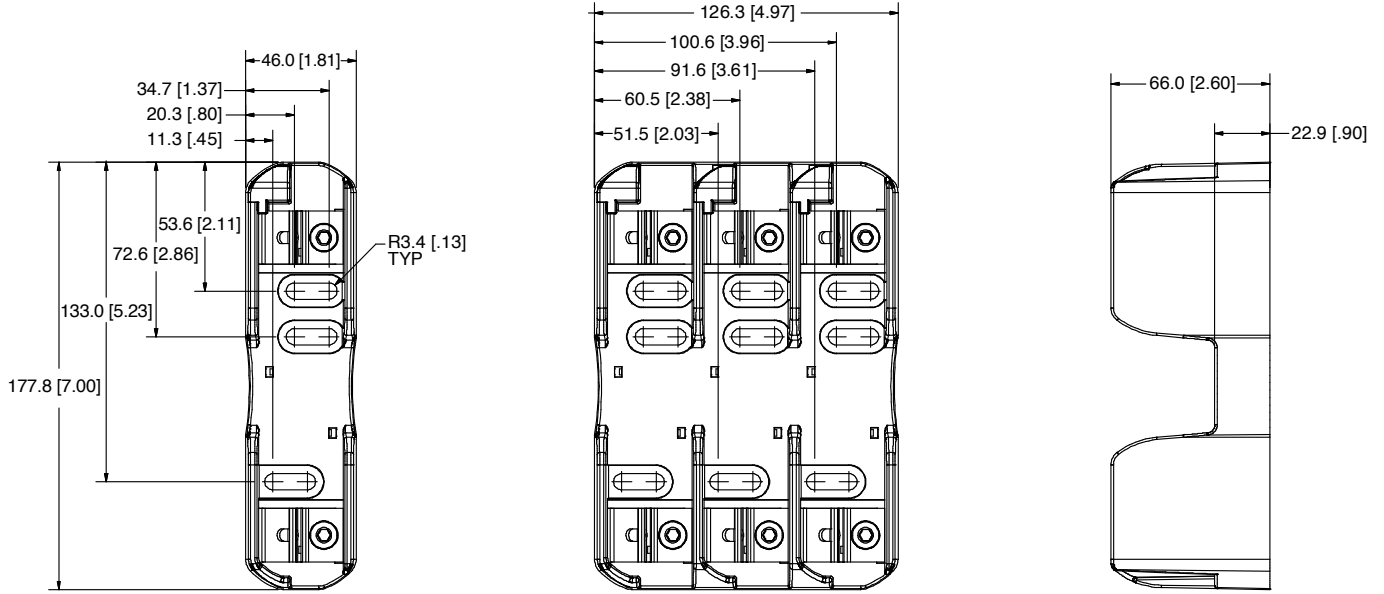
250 V 60 A



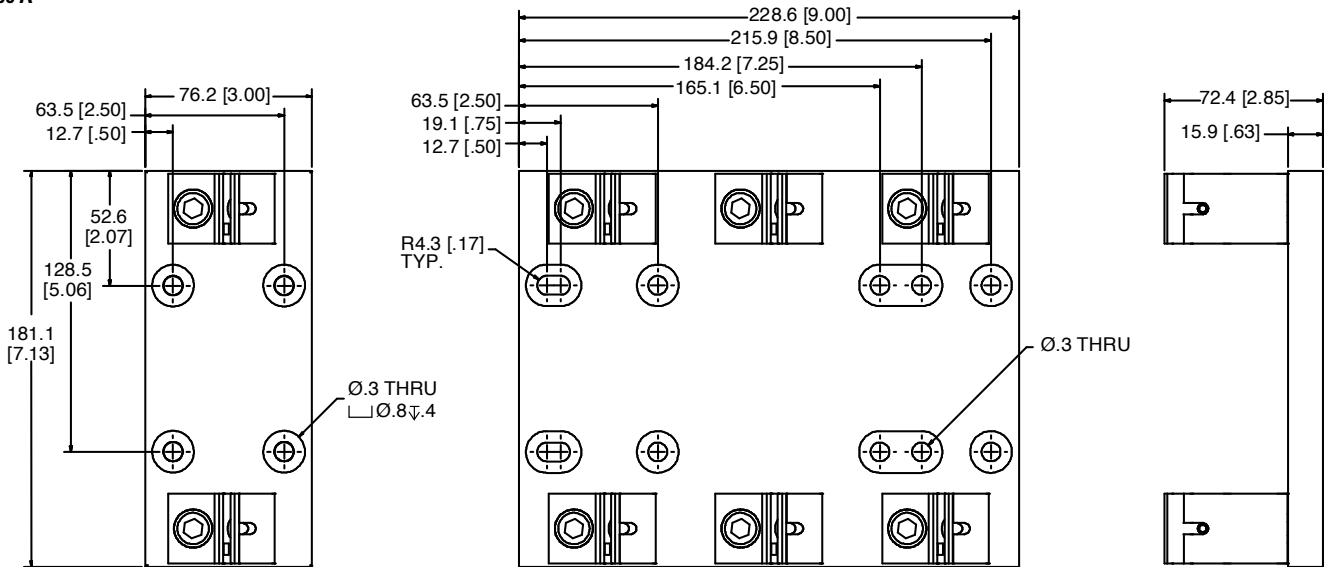
CLASS H/K5 AND R SERIES FUSEBLOCKS

Dimensions in mm (inches)

250 V 100 A



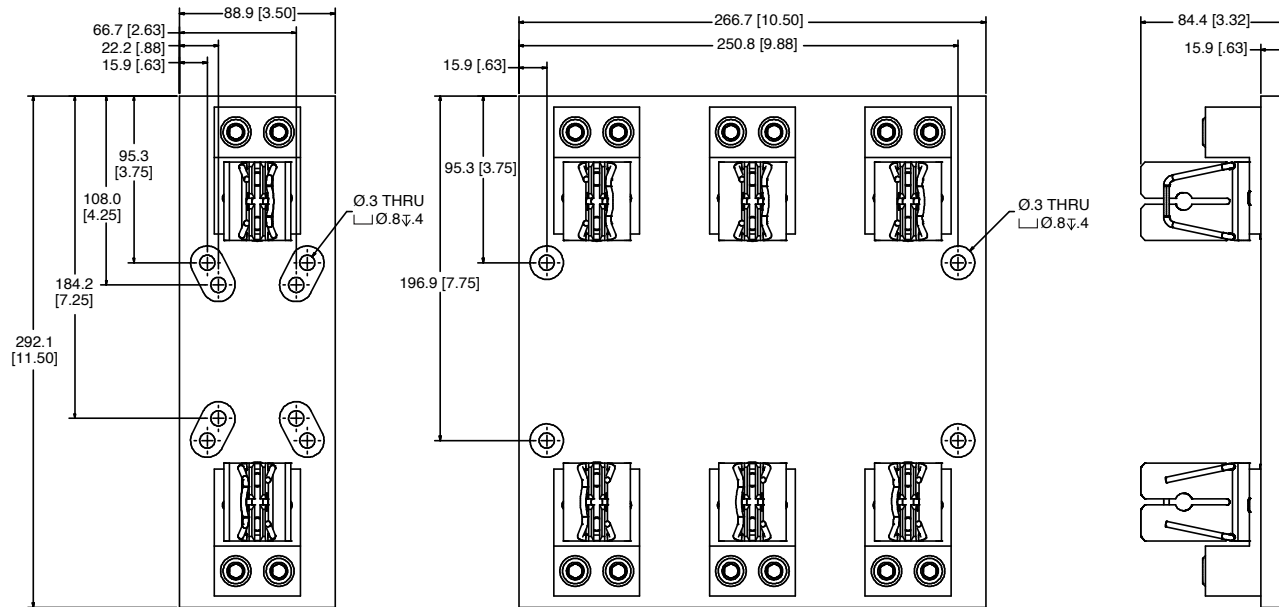
250 V 200 A



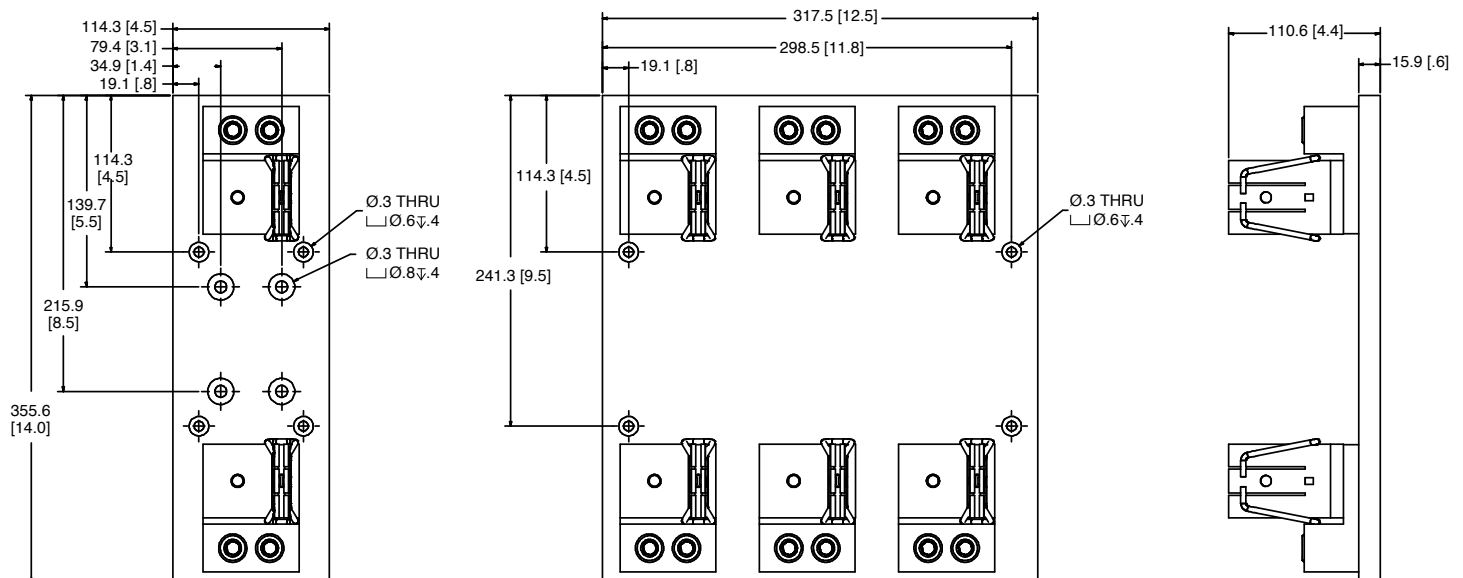
CLASS H/K5 AND R SERIES FUSEBLOCKS

Dimensions in mm (inches)

250 V 400 A



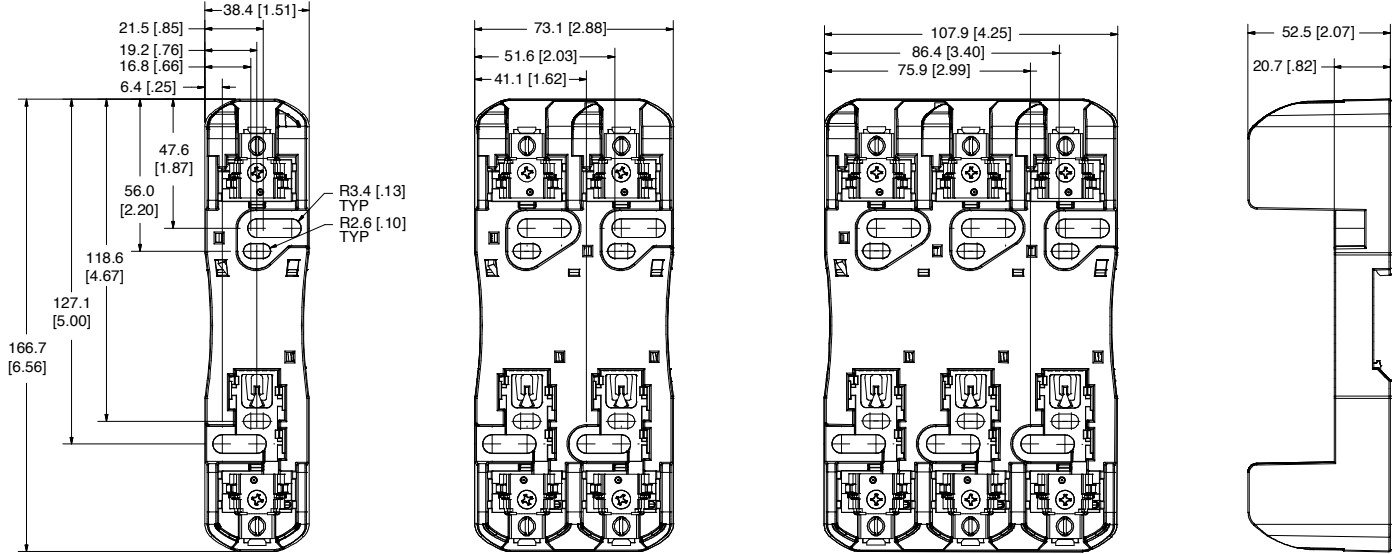
250 V 600 A



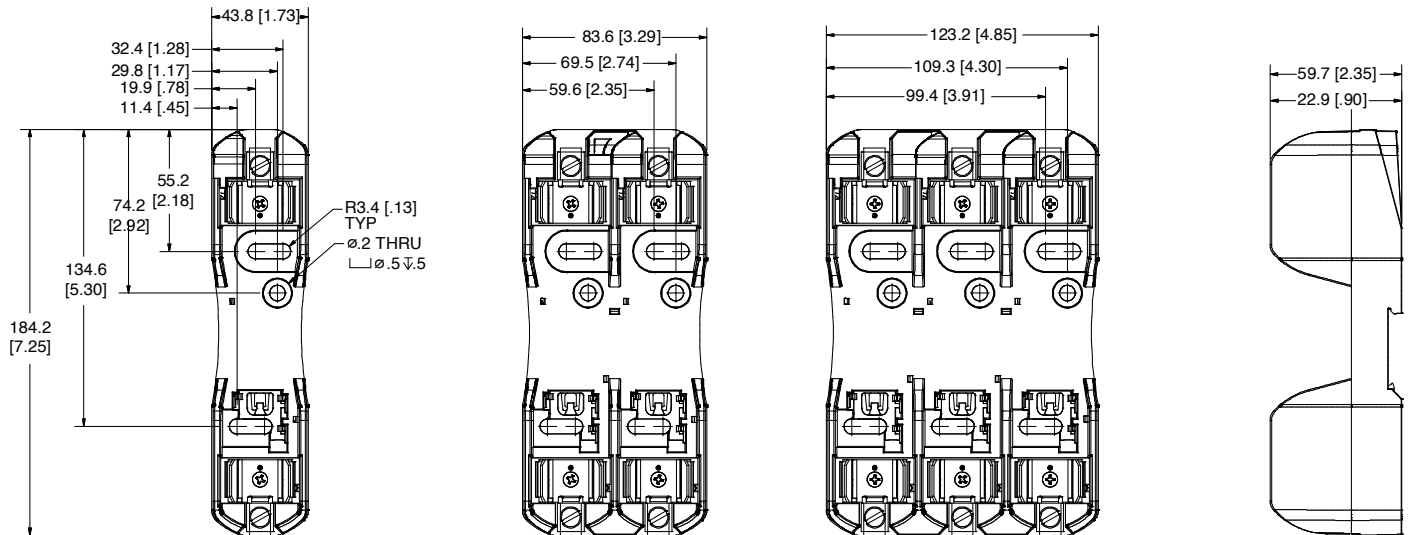
CLASS H/K5 AND R SERIES FUSEBLOCKS

Dimensions in mm (inches)

600 V 30 A



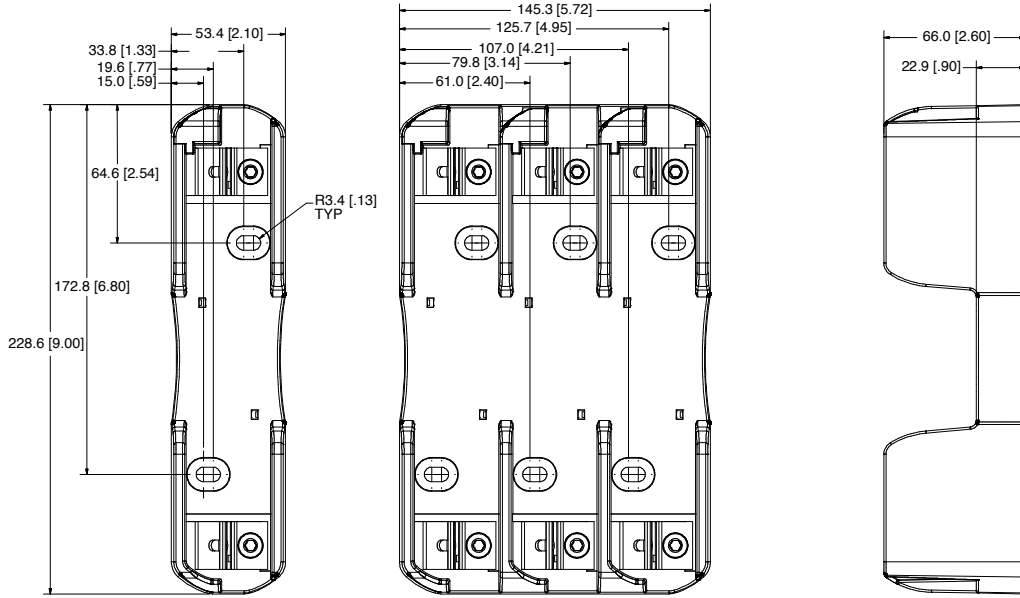
600 V 60 A



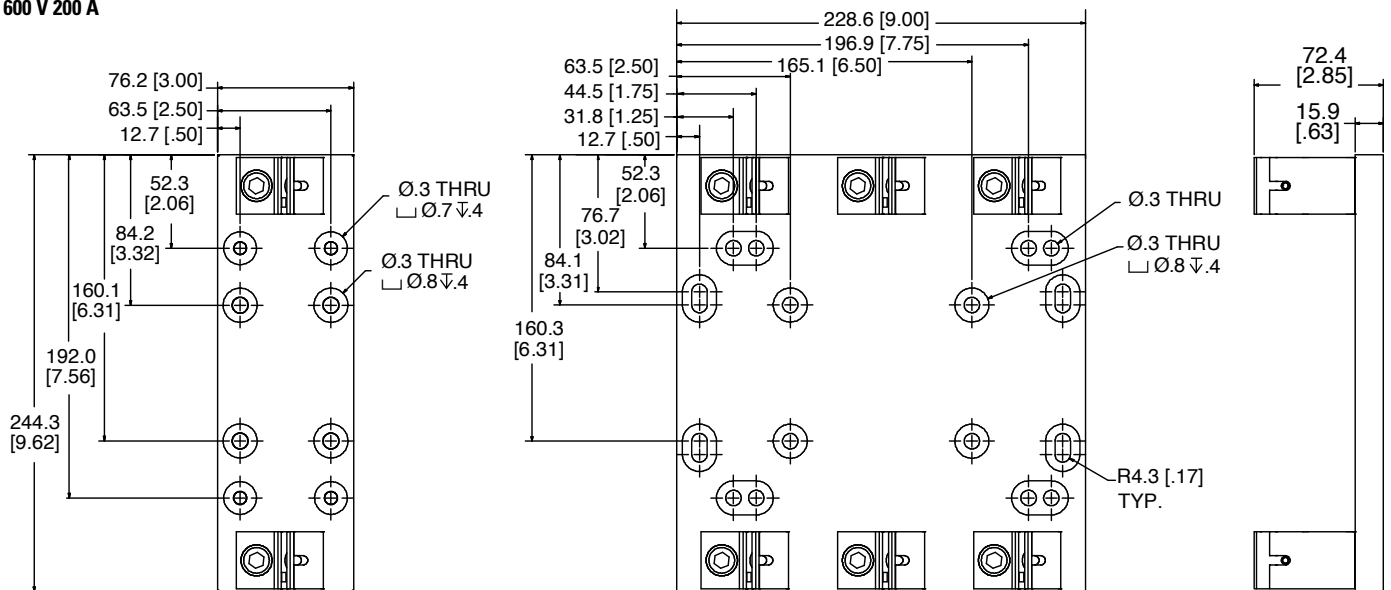
CLASS H/K5 AND R SERIES FUSEBLOCKS

Dimensions in mm (inches)

600 V 100 A



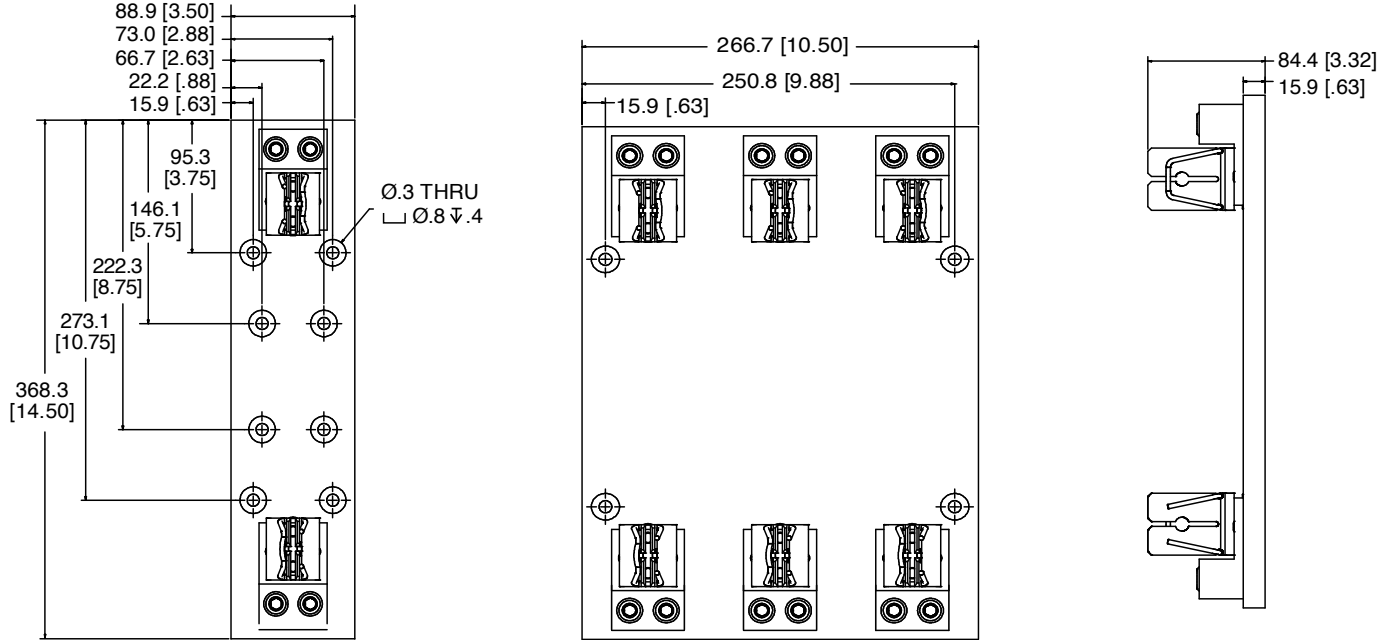
600 V 200 A



CLASS H/K5 AND R SERIES FUSEBLOCKS

Dimensions in mm (inches)

600 V 400 A



600 V 600 A

