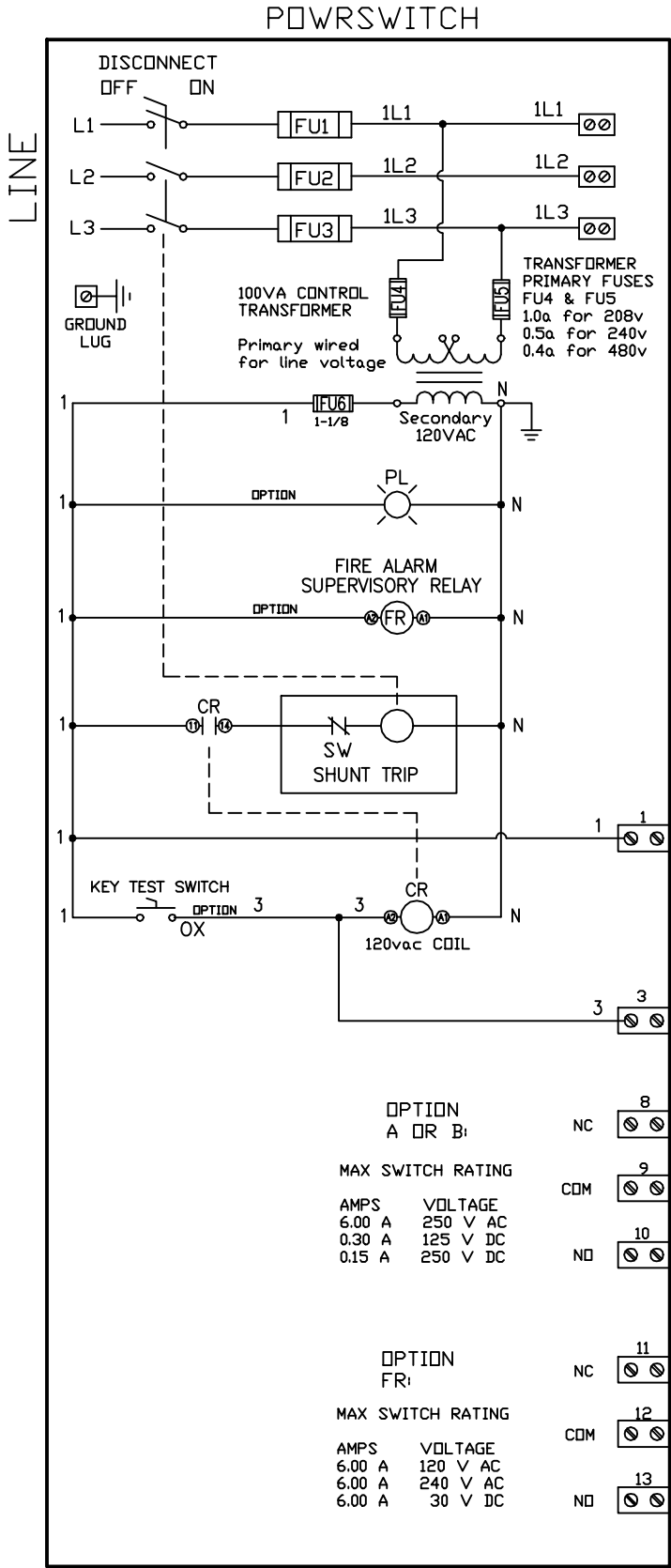


POWRSWITCH SCHEMATIC R1

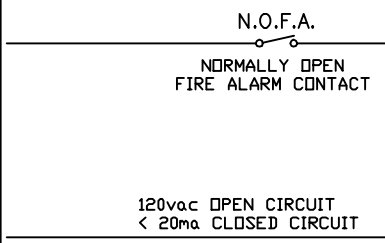


LOAD

TERMINOLOGY

- LINE -Connection to the input source of power.
- LOAD -Connection to the protected circuit load.
- DISCONNECT -Main switch that disconnects power via manual, or shunt trip.
- CONTROL TRANSFORMER -Converts the incoming line voltage to 120vac.
- PL -An optional door pilot light used to indicate the presence of control voltage.
- Fire Alarm Supervisory Relay -Optional relay (FR) for monitoring control voltage.
- N.O.F.A. -Abbreviation for Normally Open Fire Alarm (contact closure initiates shunt trip).
- Fire Alarm Isolation Relay -Provides fire alarm initiating circuit isolation.
- KEY TEST -Optional door key-switch used for testing, to trigger a shunt trip disconnect.
- SHUNT TRIP -Mechanism, triggered by CR closure, that opens the disconnect.
- SW -Internal to the shunt trip mechanism that opens when the switch is tripped.

SHUNT TRIP WIRING



120vac IS PROVIDED FROM WITHIN THE POWRSWITCH. ONLY A CONTACT CLOSURE IS NEEDED.

MONITORING TERMINALS WIRING

- OPTION A:
Auxiliary contacts are mechanically interlocked to the main switch contacts. These auxiliary contacts differentiate between the main switch being manually turned off or shunted off.
- OPTION B:
Auxiliary contacts are mechanically interlocked to the main switch contacts. These auxiliary contacts follow the main switch contacts.
- OPTION FR:
These FR relay contacts indicate the presence or absence of shunt control voltage.

OPTION A OR B:

MAX SWITCH RATING	
AMPS	VOLTAGE
6.00 A	250 V AC
0.30 A	125 V DC
0.15 A	250 V DC

OPTION FR:

MAX SWITCH RATING	
AMPS	VOLTAGE
6.00 A	120 V AC
6.00 A	240 V AC
6.00 A	30 V DC

DATE	LTR	REVISION
10-22-07	G	RELABELED OPTION CONTACTS



PROJECT: POWRSWITCH - R1