

1. Amplifier's gain is set to 1,100 at the frequency of 60 Hz.  
Fig.1 shows the detail of amplifier.
2. DUT is set in the test fixture as shown in Fig.2.
3. AC current of 100mArms is applied to the copper wire.
4. Amplifier's output voltage is read with DMM while DUT is slowly moved along the guide rail.

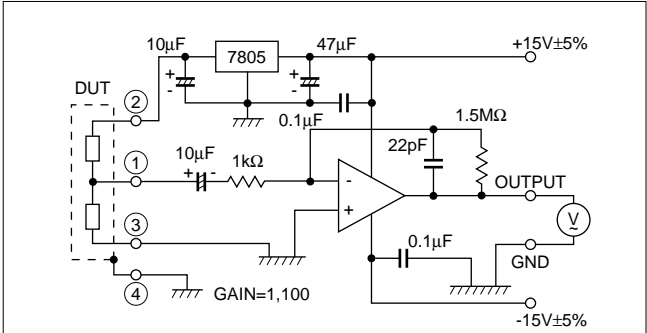


Fig.1 Amplifier for Output Voltage Measurement

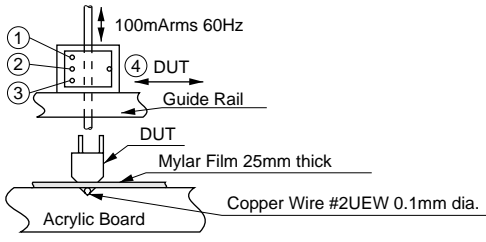


Fig.2 Test Fixture for Output Voltage Measurement