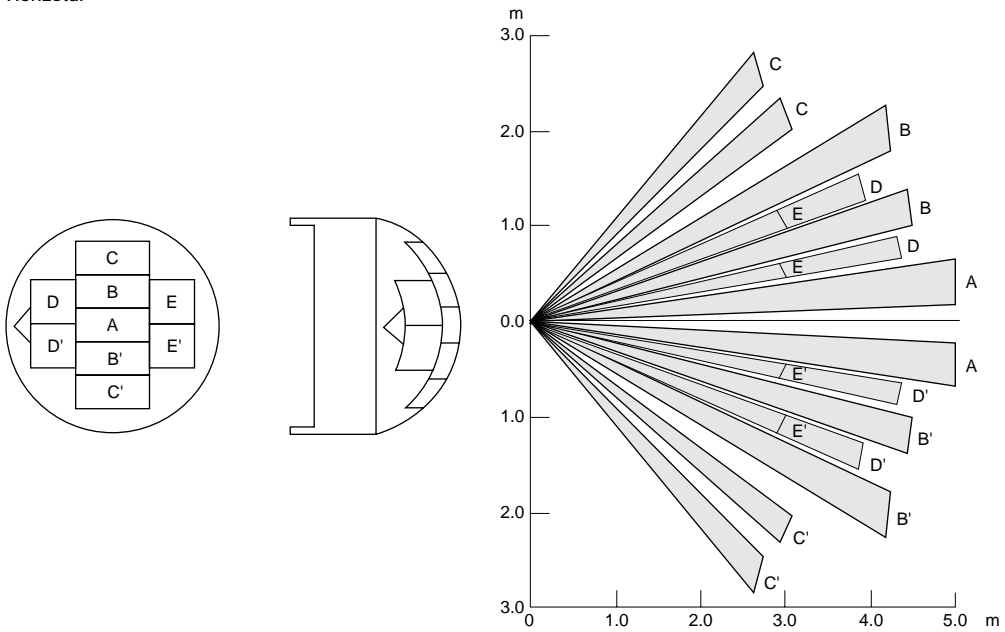
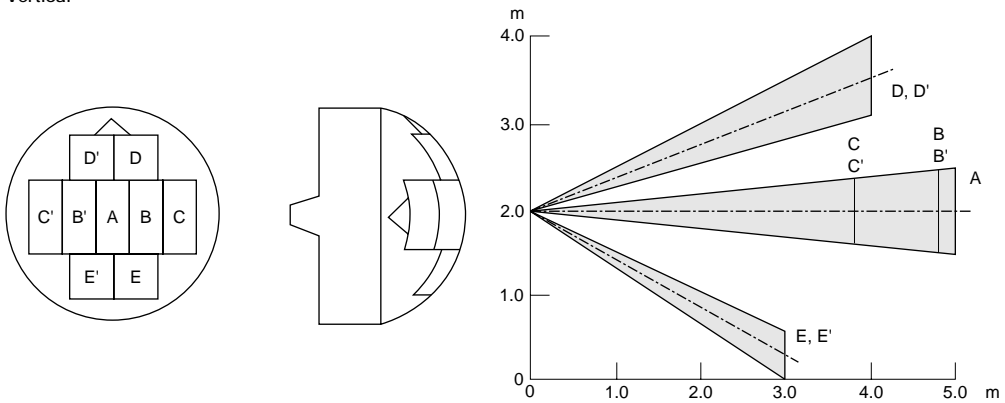


Beam (Lens)	Angle of Horizontal		Angle of Vertical	
	Central angle	Field of View	Central angle	Field of View
A	0.0°	± 8.2°	0.0°	± 5.5°
B • B'	20.0°	± 7.7°	0.0°	± 5.5°
C • C'	40.0°	± 6.3°	0.0°	± 5.5°
D • D'	15.0°	± 7.9°	22.5°	± 5.0°
E • E'	15.0°	± 7.9°	-30.0°	± 4.8°

Angle of Horizontal



Angle of Vertical



*Assembled with Murata sensor IRA-700 series