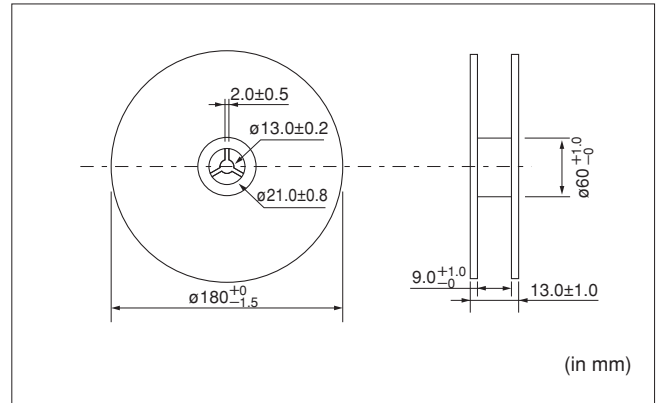


## ■ Minimum Quantity Guide

Part Number	Quantity (pcs.)	
	Paper Tape	Embossed Tape
NCP03	15,000	-
NCP15	10,000	
NCP18	4,000	
NCP21	-	4,000

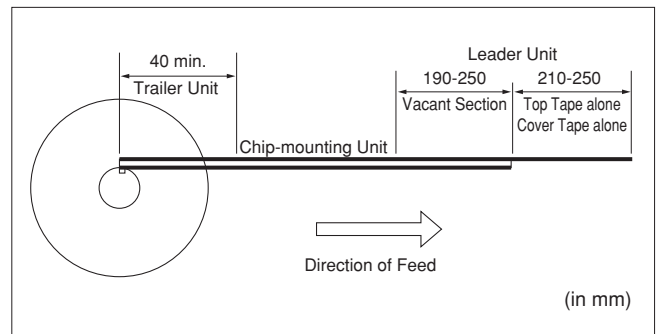
## ■ Tape Carrier Packaging

### 1. Dimensions of Reel



### 2. Taping Method

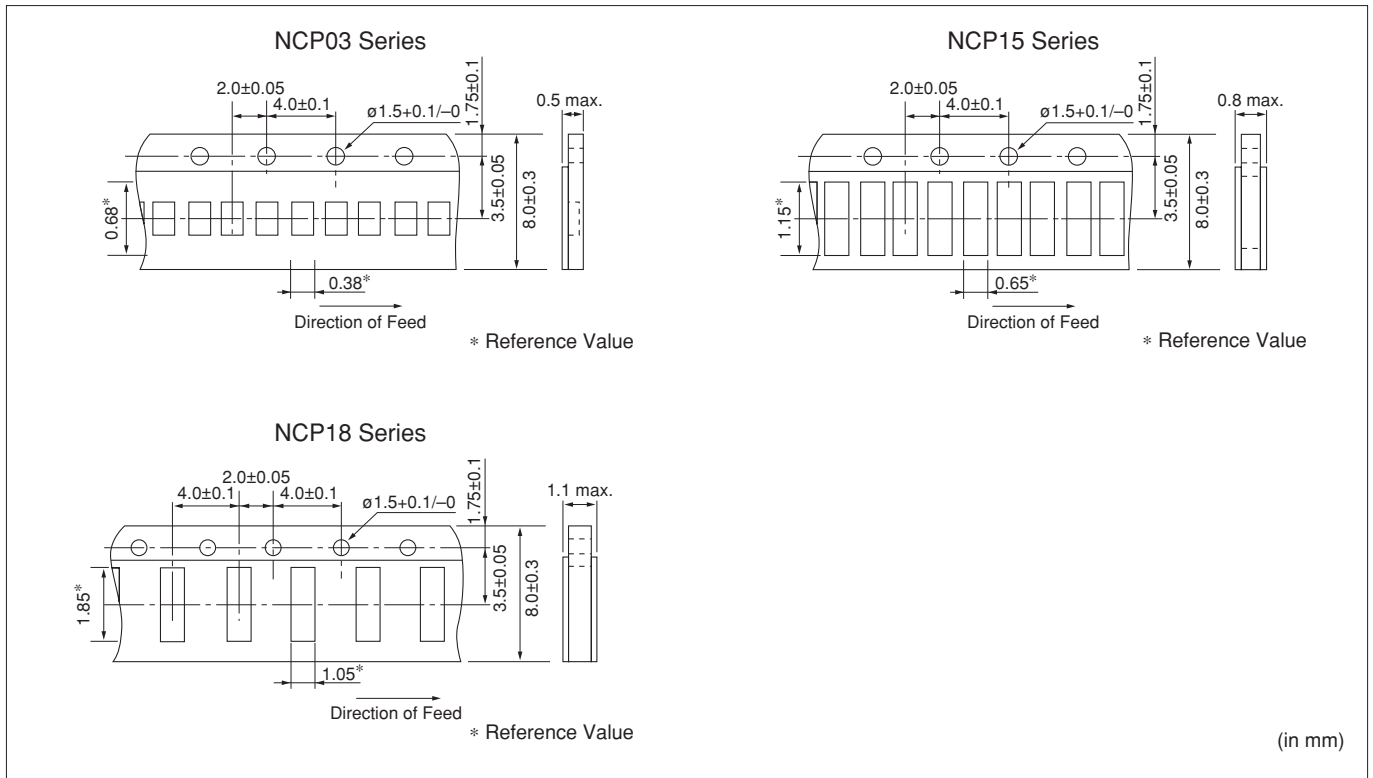
- (1) A tape in a reel contains Leader unit and Trailer unit where products are not packed. (Please refer to the figure at the right.)
- (2) The top and base tapes or plastic and cover tape are not stuck at the first five pitches minimum.
- (3) A label should be attached on the reel. (MURATA's part number, inspection number and quantity should be marked on the label.)
- (4) Taping reels are packed in a package.



Continued on the following page.

Continued from the preceding page.

### 3. Paper Tape (NCP03/15/18 Series)



#### (1) Other Conditions

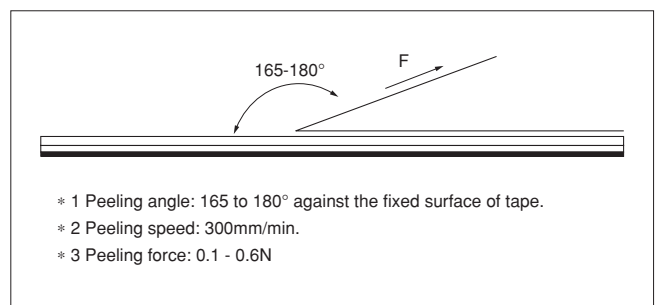
##### (a) Packaging

Products are packaged in the cavity of the base tape and sealed by a top tape and bottom tape.

##### (b) Tape

The top tape and bottom tape have no joints and products are packaged and sealed in the cavity of the base tape, continuously.

#### (2) Peeling Force of Top Tape



#### (3) Pull Strength

Pull strength of top tape is specified at 10N minimum.

Pull strength of bottom tape should be specified 5N minimum.

Continued on the following page. ↗

Continued from the preceding page.

#### 4. Embossed Tape (NCP21 Series)

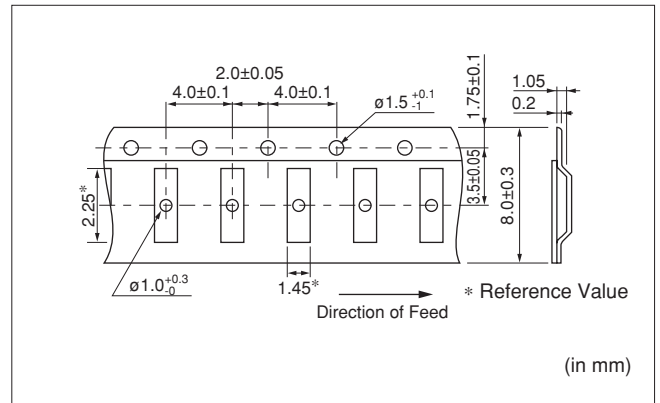
##### (1) Other Conditions

###### (a) Packaging

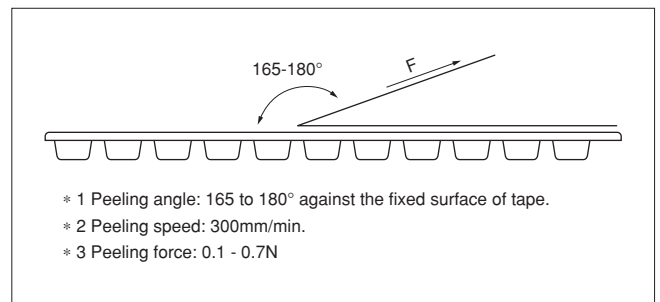
Products are packaged in the each cavity of Embossed tape and sealed by Cover tape.

###### (b) Tape

Cover tape has no joints.



##### (2) Peeling Force of Cover Tape



##### (3) Tape Strength

Pull strength of Embossed tape and Cover tape should be specified 10N minimum.