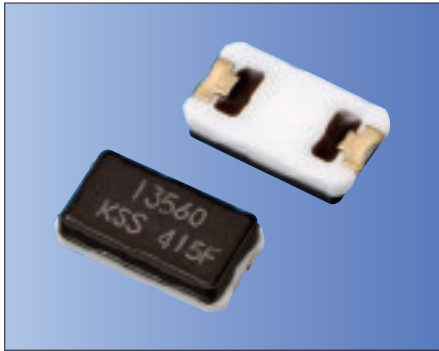


8.0×4.5mm for Automotive



RoHS Compliant

Features

- Crystal unit for automotive electronics
- Small and low profile (8.0×4.5×1.9mm)
- Ceramic package, J lead type
- Reflow compatible
- AEC-Q200 qualified

Applications

- ECU, TPMS

How to Order

CX8045JA 08000 □□ □ □ □ □ □ □
 ① ② ③ ④ ⑤ ⑥ ⑦

- ① Series
- ② Frequency
- ③ Load Capacitance
- ④ Frequency Tolerance

D0	8 pF	P	±50×10 ⁻⁶
H0	12 pF	Q	±100×10 ⁻⁶

- ⑤ Operating Temp. Range
- ⑥ Frequency Temp. Stability

TW	-40 to +150°C	±200×10 ⁻⁶
-----------	---------------	-----------------------

- ⑦ Individual Specification

Packaging (Tape & Reel 3000/ 1000 pcs./ reel)

Specifications

Item	Symbol	Specification	Units	Remarks
Frequency Range	f _{nom}	4000 to 30000	kHz	
Overtone Order	OT	Fundamental	—	
Load Capacitance	CL	8	pF	
Frequency Tolerance	f _{tol}	±100	×10 ⁻⁶	25°C±3°C
Motional Series Resistance	R1	Table 1	ohm	
Drive Level	DL	Table 2	μW	
Operating Temp. Range	T _{use}	-40 to +150	°C	
Storage Temp. Range	T _{stg}	-40 to +150	°C	
Frequency Temp. Characteristics	f _{tem}	±200	×10 ⁻⁶	Freq. deviation from the value at 25°C

• Please contact us for other specifications.

Table1 Motional Series Resistance

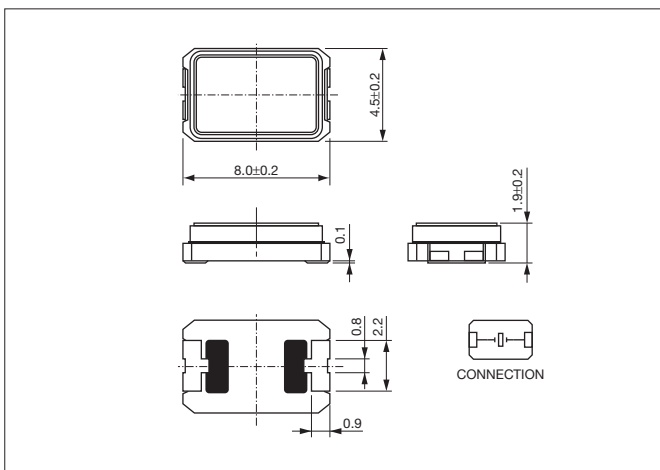
Frequency Range	Motional Series Resistance
4000≤f _{nom} < 5000kHz	500Ω max.
5000≤f _{nom} < 7200kHz	300Ω max.
7200≤f _{nom} <10000kHz	200Ω max.
10000≤f _{nom} <12000kHz	150Ω max.
12000≤f _{nom} ≤30000kHz	100Ω max.

Table2 Level of Drive

Frequency Range	Level of Drive
4000≤f _{nom} <16000kHz	10μW (500μW max.)
16000≤f _{nom} <25000kHz	10μW (300μW max.)
25000≤f _{nom} ≤30000kHz	10μW (100μW max.)

Dimensions

(Unit: mm)



Recommended Land Pattern

(Unit: mm)

